

Industrial Maxi New sprayer with a 1.2 M extension tube and adapting cone for all types of spouts. Foreseen for « ovenabrasive » products, permanent stock.

General Information

- Ordering numbers : SPRAYGUN BS BLA sc
- Spraying capacity : 2.2 ml
- Weight : 100.00 gr
- Color :
- Tube length : 1200 mm

Neck : Cone SPRAYGUN



Standard packaging :

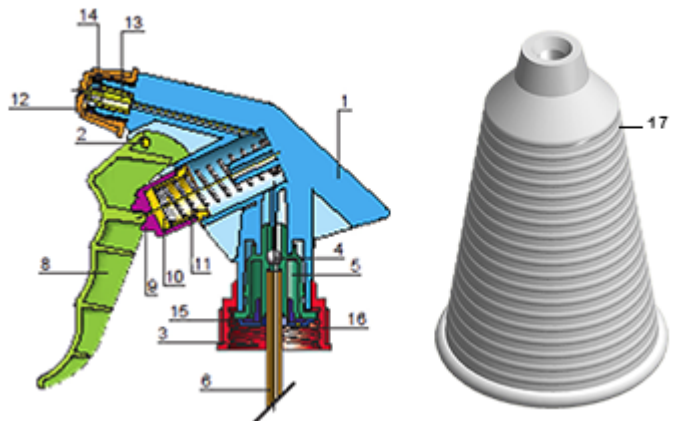
- 100 pcs per box
- Dimensions : 60 x 40 x 31 cm
- Gross weight : 10.78 Kg

Photo



Exploded View

Pos	description	Material
1	Body	PP
2	Rivet	POM
3	Ring	PP
4	Ball	st. steel 302
5	Connection	PP
6	Tube	PE
8	Trigger	PP
9	Washer holder	PP
10	Washer	NBR or VITON
11	Spring	st. steel 302
12	Nozzle	PP
13	Valve	POM
14	O-ring	NBR or VITON
15	Seal	PE/EPE
16	Vent valve	NBR
17	Cone	PELD



Media

