

The Vella trigger-sprayer is a versatile, robust, all-purpose sprayer with a 1.3 ml output. The Vella sprayer is designed with user comfort in mind, with a rounded, ergonomic body style and a wide trigger shape. The trigger has a textured surface to help grip with wet or gloved hands. With its solid construction, the Vella is suitable for a wide range of uses including consumer and professional products, janitorial spraying and home and garden use. It is a « shipper » sprayer, suitable for fitting onto full bottles of product. The nozzle is fully adjustable from a fine mist to a direct jet. A diptube filter is fitted as standard. A foamer nozzle is also available.

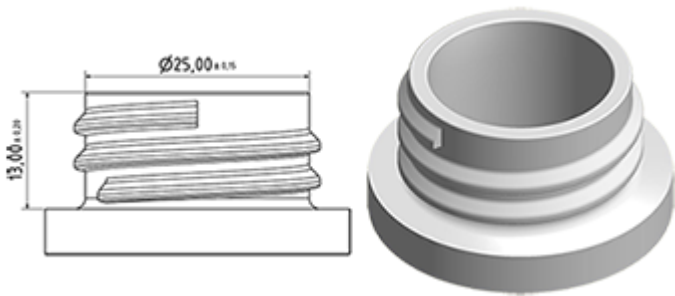
### General Information

- Ordering numbers : VELLA BS255BJAU
- Spraying capacity : 1.3 ml
- Weight : 35.00 gr
- Color :
- Tube length : 255 mm

### Photo



### Neck : 28/400

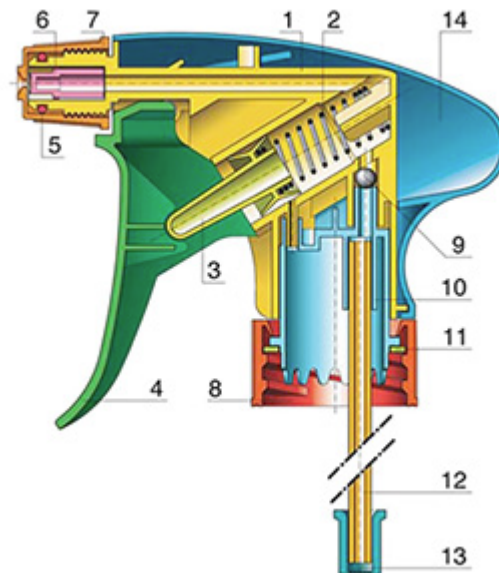


### Standard packaging :

- 400 pcs per box
- Dimensions : 57 x 39 x 55 cm
- Gross weight : 15.25 Kg

### Exploded View

| Pos | description | Material      |
|-----|-------------|---------------|
| 1   | Body        | PP            |
| 2   | Spring      | st. steel 304 |
| 3   | Valve       | PP            |
| 4   | Trigger     | PP            |
| 5   | O-ring      | NBR           |
| 6   | Valve       | POM           |
| 7   | Nozzle      | PP            |
| 8   | Ring        | PP            |
| 9   | Ball        | st. steel 304 |
| 10  | Connection  | PP            |
| 11  | Seal        | PP/EPE        |
| 12  | Tube        | PE            |
| 13  | Filter      | PP            |
| 14  | Body        | PP            |



Media

